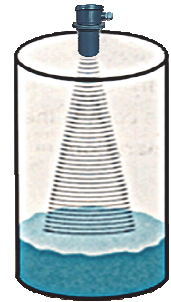


The SAI-710 Series product contained in the tank, the amount of oil or water indicator that is detected and displayed.

■ OPERATING PRINCIPLE

Sensor supply for the 4~20mA of current value is indicated to Display Monitor.
Various Sensor can be connected depending on Type of Tank.



■ SENSOR SPECIFICATION

- Transmit Sensitivity : Min. 100B re 1uPa/V at 1m
- Beam Width(at-3dB) : 5 DEG
- Materials : Housing (P.P), Sensor(Ceramic)
- Acoustic Window : Glass Reinforced Epoxy
- Operating Temperature : -40℃~85℃
- Operating Pressure : Max 2bar
- Mechanical Protection : IP68
- Mounting Size : 4" ANSI 150 #RF
- Temperature Sensor : Built in PT100. Sensor
- Output : 4~20mA
- Cable Entry : PG11

■ ULTRASONIC LEVEL CONTROLLER SPECIFICATION

Technical Data

- Display Set : At 4mA, 0~10000m/m Set Possible
At 20mA, Max 10000m/m Set Possible
(Indicate level is displayed by Percentage)
- Mounting : 3-Φ5 Hole
- Cable Entry : 4-PG11
- Material : ABS
- Operating temperature : -40℃~ 85℃

Electrical Data

- POWER SUPPLY : AC 85~260V, 50/60Hz
- Input Power : DC 24V
- INPUT TYPE : DC 24V LOOP TYPE DC 4~20mA
- Display : 6 Digit LCD Back Light
- Resolution : 1mm
- Accuracy : ±0.25% of F.S.
- Ambient Humidity : 7 to 95% RH
- OUTPUT TYPE : 6 CHANNEL RELAY (1a1b OUT)
- Contact Capacity : DC 24V 1A

Standard Feature

- Bracket Wall Mount

Enclosure Type

- IP65



SAMHOI INDUSTRIAL CO., LTD.

#48-2, Golden root-ro 66beon-gil, Juchon-myeon, Gimhae-si,
Gyeongsangnam-do, Republic of Korea
Tel. +82-55-321-0578 Fax. +82-55-321-0573
E-mail: shico@shico.co.kr Homepage : www.shico.co.kr

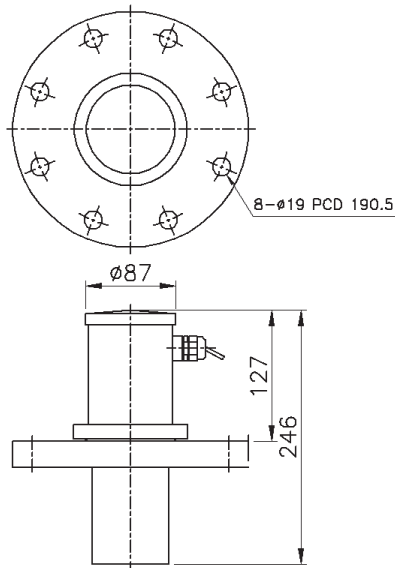
SHICO.

ULTRASONIC REMOTE LEVEL CONTROLLER WITH PVC SENSOR

MODEL : SAI-710 Series

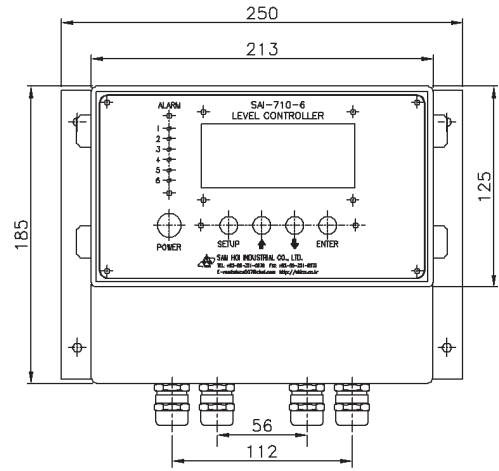
■ DIMENSIONS

■ Ultrasonic Level Sensor

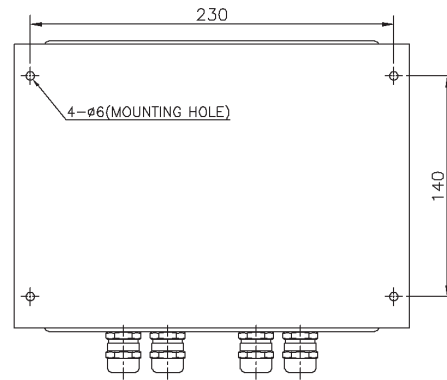


SU-110KHz SENSOR

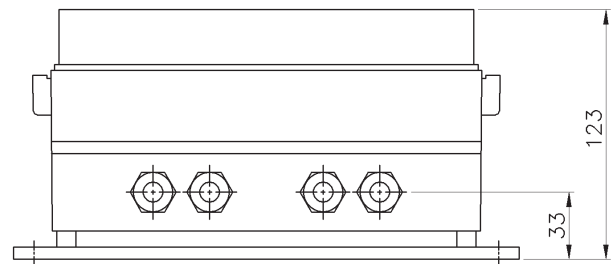
■ Ultrasonic Level Controller



TOP VIEW

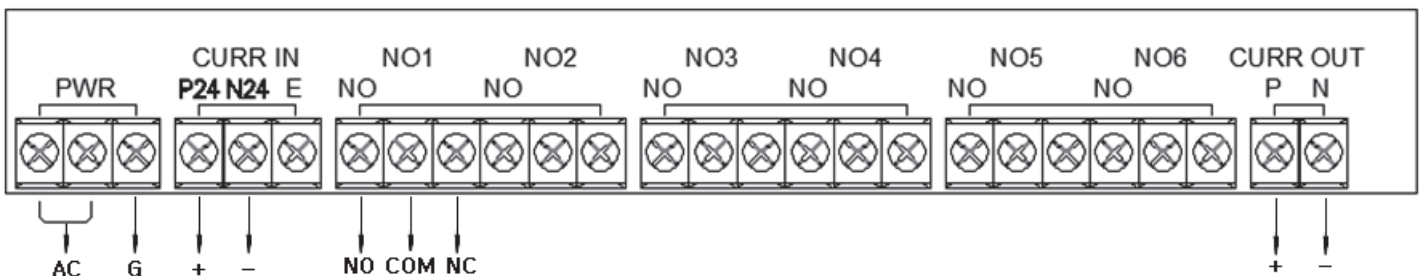


BOTTOM VIEW



FRONT VIEW

■ FUNCTIONAL DIAGRAM



SAMHOI INDUSTRIAL CO., LTD.

#48-2, Golden root-ro 66beon-gil, Juchon-myeon, Gimhae-si,
Gyeongsangnam-do, Republic of Korea

Tel. +82-55-321-0578 Fax. +82-55-321-0573

E-mail: shico@shico.co.kr Homepage : www.shico.co.kr

SHICO.

MODEL : SAI-710 Series

ULTRASONIC REMOTE LEVEL CONTROLLER WITH PVC SENSOR

■ ORDERING INFORMATION

MODEL					
SAI-710-	POWER				
	1	AC 100V/220V			
	2	DC 24V			
	INPUT SIGNAL				
	1	4~20mA			
	2	0~20mA			
	3	1~5VDC			
	RELAY CONTACT				
	1	1 SPDT	D	1 DPDT	
	2	2 SPDT	D	2 DPDT	
	3	3 SPDT	D	3 DPDT	
	4	4 SPDT	D	4 DPDT	
	5	6 SPDT	D	6 DPDT	
	DISPLAY				
	1	3 DIGIT			
	2	4 DIGIT			
	3	6 DIGIT			
	SENSOR MOUNTING				
	1	2" SCREW, 2" FLANGE			
	2	3" FLANGE			
3	OPTION (User requirement)				



SAMHOI INDUSTRIAL CO., LTD.

#48-2, Golden root-ro 66beon-gil, Juchon-myeon, Gimhae-si,
Gyeongsangnam-do, Republic of Korea

Tel. +82-55-321-0578 Fax. +82-55-321-0573

E-mail: shico@shico.co.kr Homepage : www.shico.co.kr

A-5